



## CLS: INTEGRATED CONTROL SYSTEM WITH GRAPHIC DISPLAY

**CLS** is a device able to meet all types of needs in global automation systems. Its wide display allows a quick and clear analysis of vehicle status, its maintenance conditions, sensors status and so on, also through multiple graphic pages. It has several integrated inputs/outputs, to become a real stand-alone and compact control system for middle size machines size. To complete the features, it has buttons high visibility warning lights in the same box. CAN-BUS port allows full integration with existing networks.



### TECHNICAL DATA

#### **CONTROL SYSTEM:**

- Microprocessor Freescale 16bit, 25 MHz
- RAM memory 364KB program data
- RAM memory 160 KB frame buffer
- Flash memory 256 KB for software
- Flash memory 1 MB fonts and icons storage
- EEPROM 3 KB for Parameters Storage
- Additional Flash memory 256KB for data logging and Black Box
- Real time clock with 240 byte RAM and rechargeable backup battery

#### **CONNECTIVITY:**

- 2 CAN-BUS, CAN 2.0B (11 or 29-bit), ISO 11898-2 compliance, speed up to 1 Mbit/s,
- 1 serial line standard RS232 (baud rate up to 57600 baud)

#### **ELECTRICAL CHARACTERISTICS:**

- Power Supply : +9 V ÷ +30 Vdc

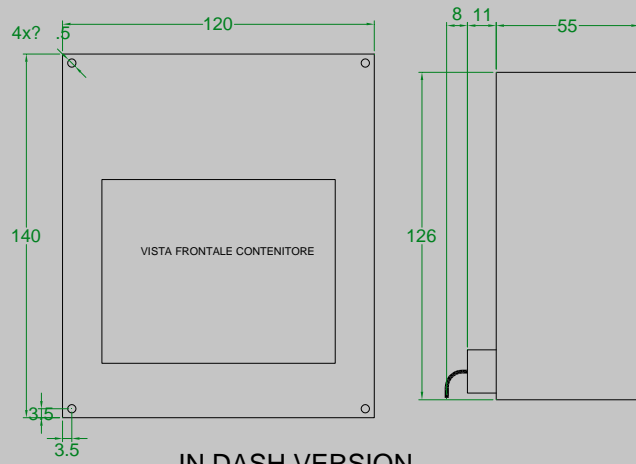
#### **FEATURES:**

- 3.8" B/W display transflettive.
- Overall size 76.8(W) x 57.6(H) mm.
- Resolution 320 x 240 pixels
- View angle 80°
- Brightness 60 cd/m2
- Backlighting: White LEDs
- Version with 6 high-brightness customizable pilot lights
- Version with 6 high-brightness customizable pilot lights and 4 function keys and access to the menus
- On Dash or In Dash installation

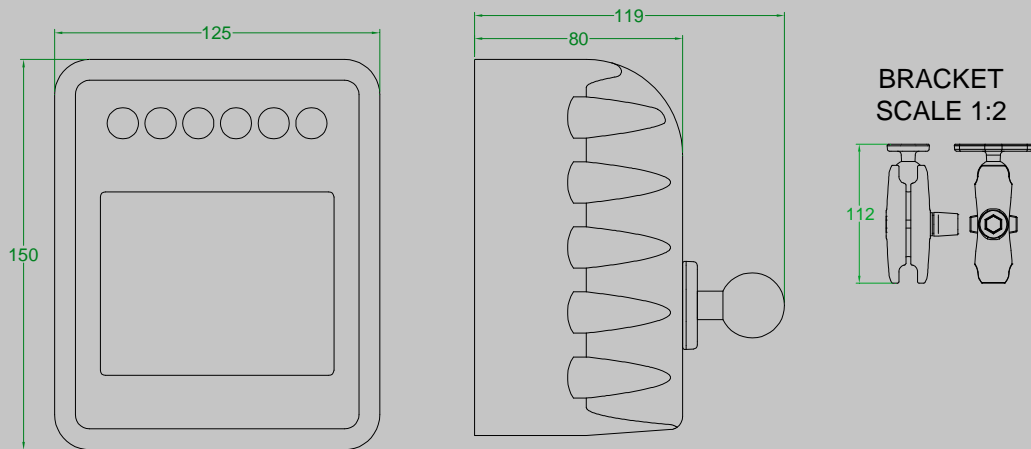
#### **MECHANICAL CHARACTERISTICS AND RATINGS:**

- Housing: Stainless steel or ABS
- Operating temperature range: from -20° C to +70° C
- Storage temperature range: from -30° C to +80° C

## MECHANICAL DIMENSIONS:



IN DASH VERSION



ON DASH VERSION

## novatestings.com/O CONFIGURATION:

- **4 Input/Output** software configurable as:
  - **On/Off Inputs** (High-side)
  - **On/Off Outputs** (High-side current 2A, short circuit current 8A), short circuit protected.
  - **PWM Outputs** (High-side current 2A, short circuit current 8A), short circuit protected.
  
- **2 Input/Output** software configurable as:
  - **On/Off Inputs** (High-side)
  - **On/Off Outputs** (High-side current 2A, short circuit current 8A), short circuit protected.
  
- **4 Input** software configurable as:
  - **On/Off Inputs** (High-side)
  - **Analog Inputs** with range  $0 \div +5.5 \text{ V}$ , 10-bit resolution
  - **Analog Inputs** with range  $0 \div +30 \text{ V}$ , 10-bit resolution
  - **Analog Inputs** with range  $0 \div 20 \text{ mA}$ , 10-bit resolution
  
- **4 Input** software configurable as:
  - **On/Off Inputs** (High or Low side)
  - **Analog Inputs** with range  $0 \div +5.5 \text{ V}$ , 10-bit resolution
  - **Analog Inputs** with range  $0 \div +30 \text{ V}$ , 10-bit resolution
  - **Analog Inputs** with range  $0 \div +5.5 \text{ V}$  with current pump