

AC MCP ANGLE / EXTENSION SENSOR : for lengths over 12 meters

AC MCP servicable-reels are used where telescopic boom extensions over 12 meters are needs.

The unwinding transducer (or transducers) is formed by drum cable servo-winders on which a cable is wound that is attached to the arm head (or to intermediate elements).

With the unwinding extension, the wire unwinds measuring the unwinding length thanks to a potentiometric sensing device.

In the use of the crane, it is always necessary to carefully survey the cable unwinding along the arm, because it can be subjected to accidental break if collided.

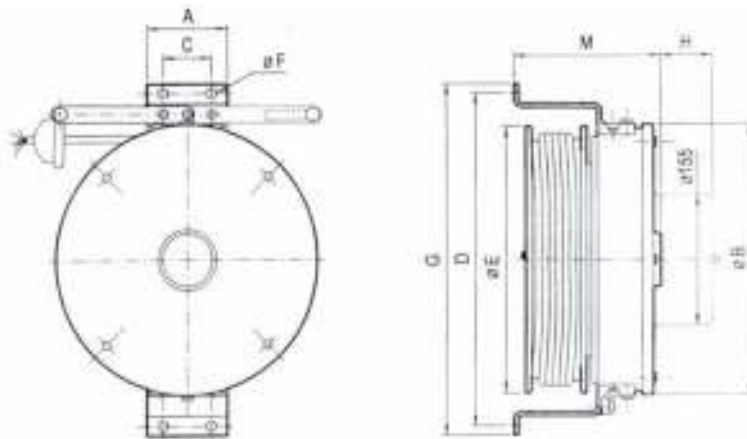
The replacement of this element is to be done by qualified personnel only.



The angle transducer (inside to cable reel) detects the absolute angle of the crane arm thanks to a potentiometric sensing device.

The signal is used by the limiter to compute the geometry.

The replacement of this element is delicate and for this reason it must be done by qualified personnel.



Slip Rings	Type	Length mm	Diam mm	A mm	B mm	C mm	D mm	E mm	F mm	G mm	H mm	M mm	MODEL
2	3x0,22 shields	12000	3,8	70	260	----	260	220	11	275	0	197,5	AC MCP236-xx
		19000		100	323	60	400	318	11	430	0	180	AC MCP229-xx
		32000		100	323	60	460	420	11	495	0	180	AC MCP214-xx
		42000		150	323	120	560	525	11	595	0	180	AC MCP226-xx

Nova Testings Pte Ltd

280 Woodlands Industrial Park E5 #02-41 Harvest @ Woodlands Singapore 757322

Tel: +65 6561 1002 Fax: +65 6561 2003 E-mail: sales@novatestings.com Website: www.novatestings.com