

Series 3900 universal load cell



- **Rugged Construction**
- **Sealed to IP 67**
- **Stainless Steel**
- **Amplifier Option**

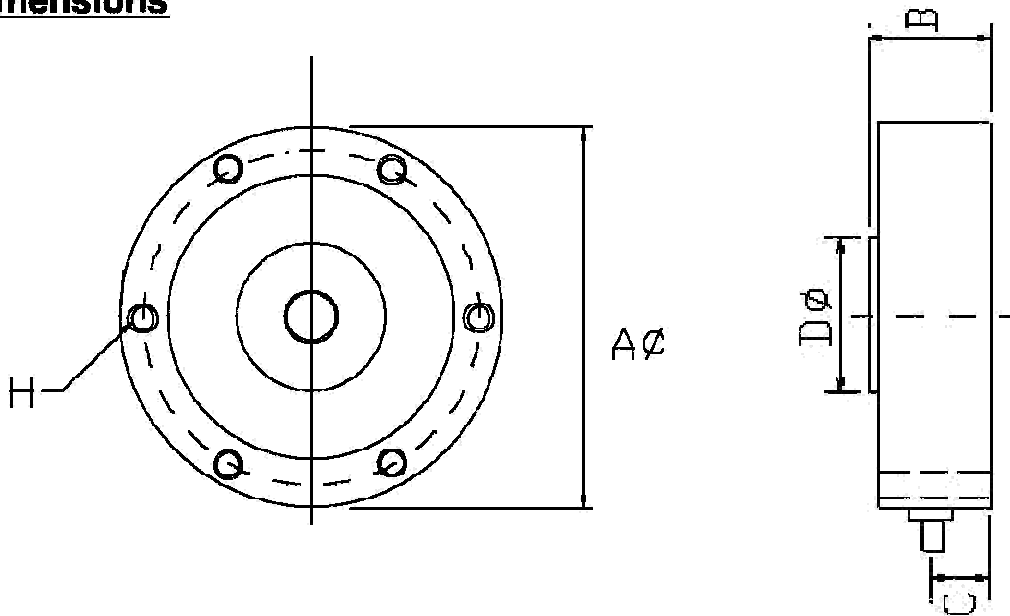
Description

A range of universal load cells with standard capacities from 100kg to 100 tonnes

Stainless steel construction with full environmental protection including glass to metal cable entry make the 3900 series the ideal sensor for hostile applications where high accuracy and long term reliability are prime considerations.

Product options offer a wide range of mechanical and electrical configurations enabling the unit to meet virtually any measurement requirement.

Dimensions



Specification Group..... SP

ELECTRICAL		
Recommended Excitation	10	Vdc
Maximum Excitation	15	Vdc
Output at rated load	2	mVV
Zero balance	2	% of RL
Input impedance	740	+/-10
Output impedance	700	+/-3
Insulation	10 ⁹	
Compensated temp.	10 to 40	C
Safe temp. range	-30 to 70	C
MECHANICAL		
Safe Overload	150	% of RL
Ultimate Overload	300	% of RL
Deflection	<0.5	mm
Cable type	4-C	screened
Cable length	3	M
Sealing	IP68	

Accuracy Class.....

ACCURACY		
Non linearity & hysteresis	0.05	%
Non repeatability	0.03	%
Zero return (after 30 minutes)	0.04	%
Temp. effect/10 C on zero	0.10	%
Temp. effect/10 C on span	0.10	%

Note:

Maximum errors (+/-) are expressed as a percentage of rated load (when measured at 10Vdc excitation). The linearity and hysteresis is the maximum deviation from a straight line drawn between the no load and the rated load outputs for both increasing and decreasing loads. Accuracy classes apply when active range (live weight) is within 20 to 90% of rated load.

Table

RATING e.g.	A mm	B mm	C mm	F mm
1.0	112	35	17	8 x 6.5
2.5	112	35	17	8 x 6.5
5.0	112	35	17	8 x 6.5
10	150	45	22	8 x 13
25	150	45	22	8 x 13
50	184	55	22	12 x 17
100	184	55	22	12 x 17
150	204	55	22	12 x 21

Wiring

