

## Series 4000 pressure transducer



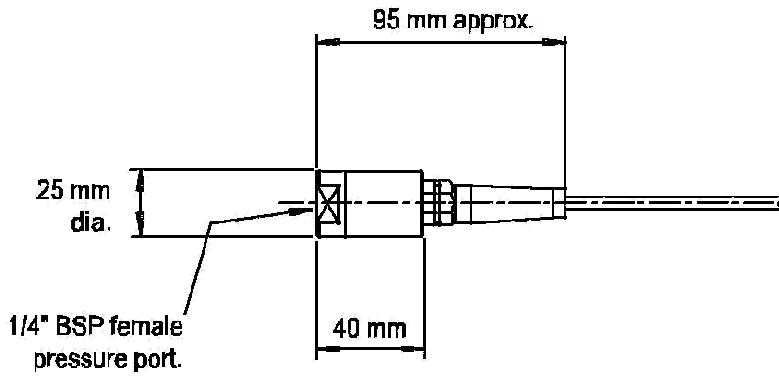
- **Versatile**
- **High Accuracy**
- **Stainless Steel**
- **Optional Fittings**

### Description

A range of stainless steel pressure transducers with ranges from 50 to 500 bar. The sensing diaphragm is an integral part of the transducer body thus negating the potential errors induced when a separate bonded diaphragm is utilised.

A full range of instrumentation and control packages from simple stand alone displays to complete turn key systems are available to support all Active Load sensors. Details and specifications available from our Sales office.

# Dimensions



## Specification Group..... SP4

ELECTRICAL		
Recommended Excitation	10	Vdc
Maximum Excitation	15	Vdc
Output at rated load	2	mVV
Zero balance	5	% of RL
Input impedance	350	+/-10
Output impedance	350	+/-3
Insulation	10 <sup>9</sup>	
Compensated temp.	15 to 65	°C
Safe temp. range	-30 to 70	°C
MECHANICAL		
Safe Overload	150	% of RL
Ultimate Overload	300	% of RL
Deflection	<0.5	mm
Cable type	4-C	screened
Cable length	3	M
Sealing	IP67	

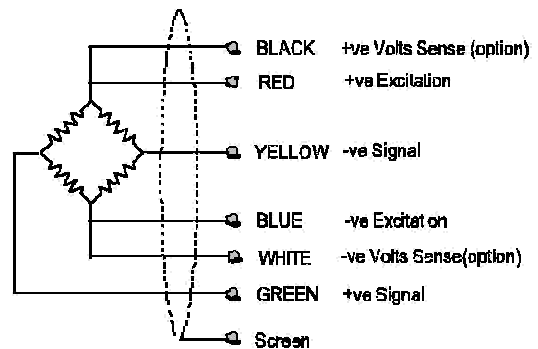
## Table

RATING bar.	RATING bar.
50	250
100	300
150	350
200	500

## Accuracy Class..... C1

ACCURACY		
Non linearity & hysteresis	0.25	%
Non repeatability	0.05	%
Zero return (after 30 minutes)	0.04	%
Temp. effect/10 C on zero	0.10	%
Temp. effect/10 C on span	0.10	%

## Wiring



### Note:

Maximum errors (+/-) are expressed as a percentage of rated load (when measured at 10Vdc excitation). The linearity and hysteresis is the maximum deviation from a straight line drawn between the no load and the rated load outputs for both increasing and decreasing loads. Accuracy classes apply when active range (live weight) is within 20 to 90% of rated load.

