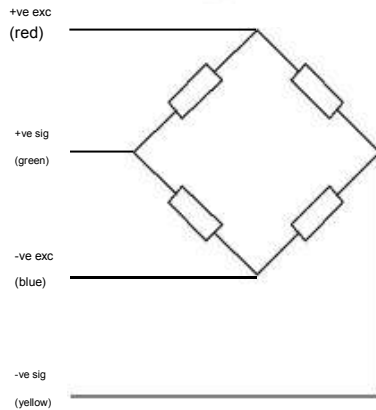


Rope Clamp-On Load Cell



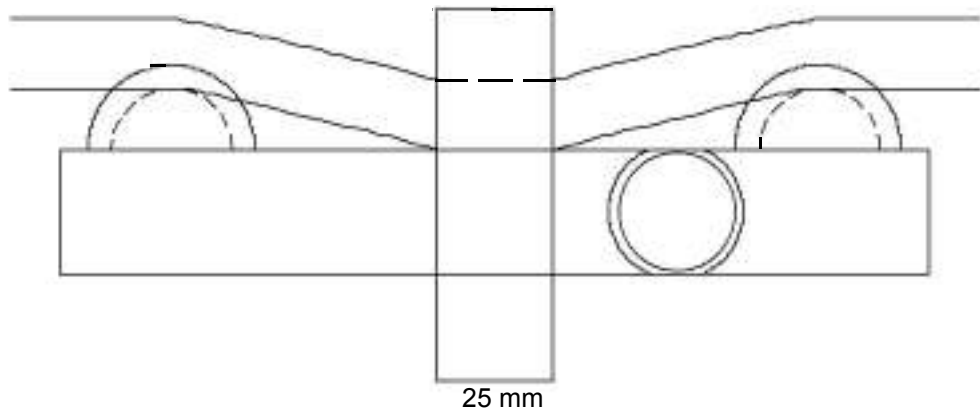
Approx. Capacities		
Full Load Output	1.0 nom	mV/V
Zero Load Output	<±5.0	%
Excitation (Max)	10 (15)	V
Accuracy	<1	%
Repeatability	<0.25	%
Input Resistance	350 (±20)	Ω
Output Resistance	350 (±2)	Ω
Compensated Temp. Range	0 to +60	°C
Operating Temp. Range	-10 to +80	°C
Temp. Coefficient on Zero	<0.0010	% Capacity/°C
Temp Coefficient on Span	<0.0010	% Capacity/°C
Safe Overload	150	%
Insulation	>500 @100Vdc	M
Environmental Protection	IP68	

Specifications subject to change without notice



Parallel clamping system negates the need to alter standard rope installations, allowing straightforward fitting to existing systems.

Rope Thickness (in.)	Rope Thickness (mm)	WEIGHT (kg)
3/8"	8-10	750
1/2"	11-13	1700
5/8"	14-16	3000
3/4"	18-19	4000
7/8"	20-22	5700
1"	24-26	7000
1 1/8"	28 -29	
1 1/4"	32-33	
1 3/8"	35 - 36	



NOVA TESTINGS PTE LTD
 280 Woodlands Industrial Park E5
 #02-41 Harvest @ Woodlands Singapore 757322
 Tel: +65 6561 1002/6 Fax: +65 6561 2003
 E-mail: sales@novatestings.com
 Website: www.novatestings.com