



NOVA TESTINGS PTE LTD
Innovative Measurement Electronics



PT200 Series
GENERAL PURPOSE
WEIGHT INDICATORS

PT200 Series

GENERAL PURPOSE WEIGHT INDICATORS

PT200R BASIC INDICATOR



Panel mounted

The PT200 Series digital weight indicators offer high levels of performance and functionality by combining all the very latest advances in weighing technology into one compact package.

A powerful 24 bit Sigma-Delta A/D converter ensures fast and accurate weight readings are attained.

The four layer, surface mount PCB offers low power consumption and extreme durability under harsh operating conditions.

Comprehensive setup and calibration functions are displayed in plain text for clear understanding by the installer.

The software auto-detects the type of power input (plug-pack or internal batteries) and alters the power saving functions accordingly.

PT200M MULTI-FUNCTION INDICATOR



Desk stand

Pole or wall mounted

FEATURES

- 30,000 displayed divisions
- 12~24V DC input with power on/off
- Key 20mm LCD with LED backlighting
- Sealed membrane keypad (PT200P)
- Silicon keypad (PT200R/M)
- Function key (PT200M/P)
- RS-232 serial output (PT200M/P)
- 2 Isolated transistor outputs (PT200M/P)
- Panel mount, desk stand, pole/wall bracket
- LED backlighting
- Easy setup, no soldering
- 4 layer surface mount PCB
- Built-in EMC protection
- CE approved

PT200P MULTI-FUNCTION INDICATOR

(Stainless Steel IP65)



Wall mounted

Desk mounted

PT200M & PT200P Functions

- Totalising
- High/low level control
- Clock & calendar memory
- 1b/kg switching
- Live weight
- Peak hold
- Counting

Ordering Information

Model	Description	Part Number
PT200R Digital Indicator	Basic Panel Mount	EP200RI0000XXX
PT200R Digital Indicator	Basic Desk Mount	EP200RI0010XXX
PT200R Digital Indicator	Basic Desk Mount & Power Pack	EP200RI0020XXX
PT200M Digital Indicator	Multifunction Panel Mount	EP200MI0000XXX
PT200M Digital Indicator	Multifunction Desk Mount	EP200MI0010XXX
PT200M Digital Indicator	Multifunction Desk Mount & Power Pack	EP200MI0020XXX
PT200R/PT200M Wall Bracket	Fits to Desk Mount	EP200XWALLBRACK
PT200P Digital Indicator	Stainless Steel, 12V DC	EP200PI0000XXX
PT200P Digital Indicator	Stainless Steel, AC Power	EP200PI0020XXX
opto-LINK	Data Coupling Cable	EP200XOPTOLINK

ADVANCED FEATURES

opto-LINK



**Opto-Isolated
Data
Coupling**

- Connects to RS-232 port on PC
- Display mounted infra-red setup port
- Magnetically latched opto-connector

firmware-FLASH



**Easy
Firmware
Update**

- Uses opto-LINK data coupling
- Update operating firmware
- Install custom software

program-VIEWER

**Virtual Window
Into Indicator**



- PC access to setup and calibration
- Save setup and calibration to file
- Monitor and log weighing operations
- Upload/download saved files to/from other indicators
- Point & click operation

Battery Operation

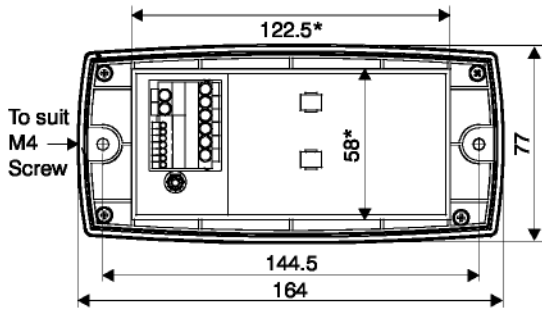


PT200R & PT200M

- Optional desk stand
- Battery Compartment (4 x A4 Batteries)

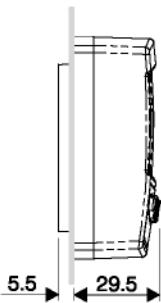
Models PT200R & PT200M

Back View

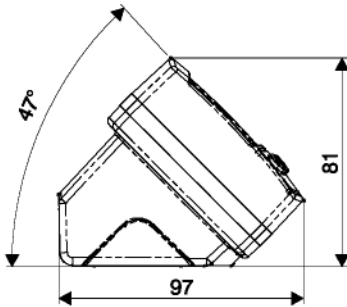


* Cutout Dimensions: 124.5mm x 60mm

Side View (Basic Panel Mount)

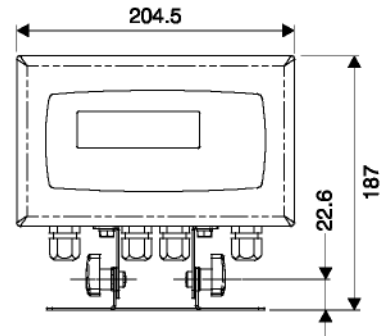


Side View (Basic Desk Mount)

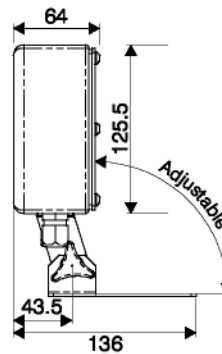


Model PT200P

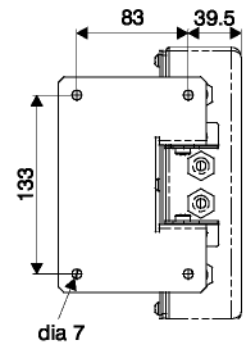
Front View



Side View



Bottom View



Dimensions in mm (1 inch = 25.4mm)

Specifications

Note: All specifications are a maximum, as a % (\pm) of full load, unless otherwise stated.

Performance

Resolution	Up to 30,000 Divisions
	Minimum of 0.25 μ V/Division, 20 Updates/Second (Trade 4000 Divisions at 0.8 μ V/Division)
Zero Cancellation	\pm 2mV/V
Span Adjustment	0.1 mV/V ~ 3mV/V Full Scale
Stability/Drift	Zero < 0. 1 μ V/ $^{\circ}$ C (+8ppm Deadload Max) Span < 8ppm/ $^{\circ}$ C Linearity < 20ppm Noise < 0.2 μ Vp-p
Excitation	5V for up to 4 x 350 or 8 x 700 Ω Load Cells (4-wire or 6-wire plus shield)
	Maximum Total Load Cell Resistance: 1,000 Ω
A/D Type	24bit Sigma Delta with 8,388,608 Internal Counts
A/D Conversion Rate	20Hz with FIR Filtering > 80dB
Operating Environment	-10 ~ 50 $^{\circ}$ C Ambient Temperature < 90% Non-Condensing Humidity -20 ~ 50 $^{\circ}$ C Ambient Storage
Case Materials	PT200R & PT200M: IP55 when panel mounted, PT200P: IP65 PT200R & PT200M: ABS Silicon Rubber, Nylon, Acrylic (no halogen used)
Packing Weights	Basic Indicator PT200R & PT200M: 0.34kg PT200P: 2.4kg

Digital

Display	LED Backlit LCD
	Six 20mm High Digits With Units & Annunciators
Setup & Calibration	Full Digital
	Visual Prompting In Plain Messages
Digital Filter	Sliding Window Average 0.1 ~ 4 seconds
Zero Range	Adjustable 2 ~ 20% Full Capacity

Power Input

Standard Power Input	12 ~ 24V DC (2.5 VA max)
	ON/OFF Key With Memory Feature
AC Plug Pack	110/240V AC 50/60HZ Input
	12V DC 0.5A Output
Battery	4 x A4 (Alkaline/Rechargeable NiMH, NiCad, etc.)

Features

opto-LINK Data Coupling	Infra-red Connector
	Optional opto-LINK (PC RS-232 Port Cable)

PT200M Extra Features

Five Point Linearity Correction	
RS-232 Automatic Transmit	For Network or Printer Outputs
	Transmission Rate: 2400, 4800 or 9600 Baud
Assignable Function Key	Unit Switching, Counting, Manual Hold
	Peak Hold, Live Weight and Totalising
2 Isolated Transistor Drive Outputs	300mA Total At 50V DC
Battery Backed Clock Calendar	Battery Life 10 Years Minimum

PT200P Extra Features

Equivalent to PT200M with IP65 Stainless Steel Housing
--



NOVA TESTINGS PTE LTD

280 Woodlands Industrial Park E5 #02-41
Harvest @ Woodlands Singapore 757322
Tel : 6561 1002 Tel : 6561 1006 Fax : 6561 2003
E-mail : sales@novatestings.com

www.novatestings.com