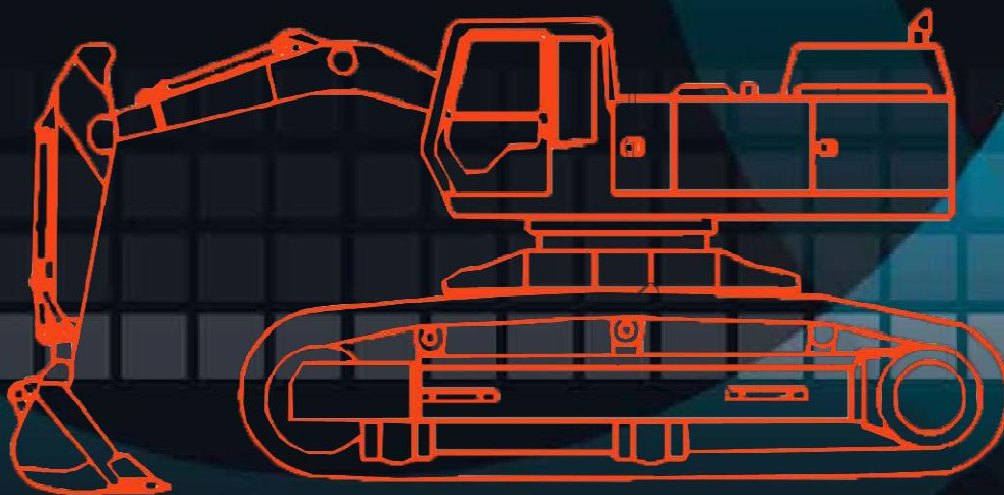




CLS2 Load Limiting System For Excavator



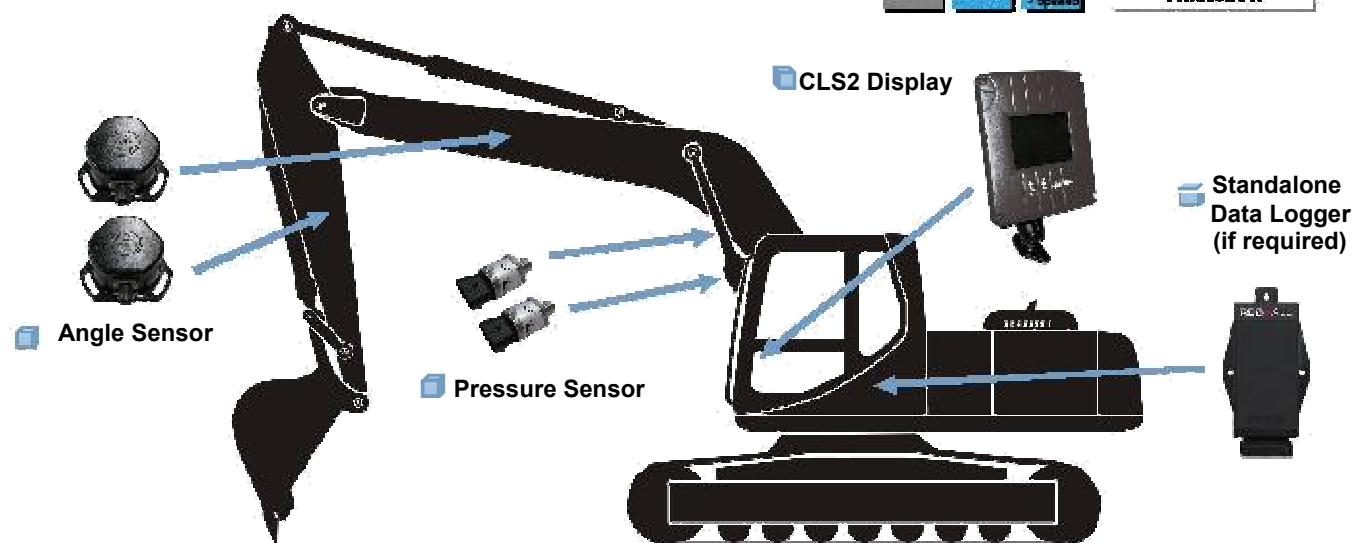
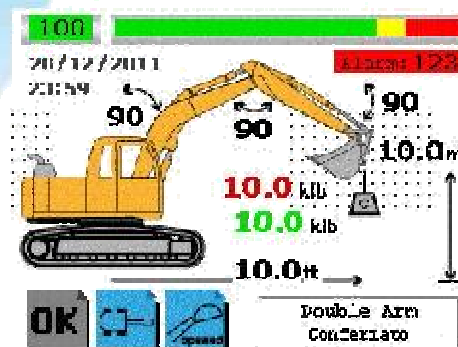
NOVA TESTINGS PTE LTD
280 Woodlands Industrial Park E5
#02-41 Harvest @ Woodlands
Singapore 757322
Tel: (65) 6561 1002 Fax: (65) 6561 2003
Email: sales@novatestings.com
Website: www.novatestings.com



CLS2 Load Limiting System For Excavator

Technical Features

- ❖ Load limiting device (compliant to EN13839)
- ❖ Load tables management
- ❖ CAN bus technology
- ❖ Data logging management
- ❖ Color graphic display
- ❖ Small dashboard for excavator



Technical Data

Display:	- 3.5" color display with white LED backlight
Control System:	- Main Microprocessor 16 bit 50MHz - 2nd Microprocessor 8 bit 20MHz - Flash memory 400KB (up to 2M) - RAM memory 32KB (up to 512KB) - EEPROM 4KB for parameter
Connectivity:	- 2 CAN BUS - 1 serial port RS232 - 4 LEDs, 4 keys with backlight, 1 internal buzzer
Power Supply:	- Power supply voltage: 8 -- 32V
Working Temperature	-20 °C ~ +70 °C
Protection:	- IP65

Dimensions:

