

VIEW2: DISPLAY UNIT - B/W OR COLOUR

The View2 display unit, in different available configurations, may perform as main CPU or single remote display as system global control.

Available configuration options :

- Display Colour 5.7" (Display Horizontal or Vertical)
- Effective area 115.2(W) x 86.4(H) mm.
- Resolution 320 x 240 pixels
- Viewing angle: Horizontal: Right 80°
 Left 80°
 Vertical: Upper 70°
 Lower 70°
- Brightness 800 cd/m2
- Backlight type: White Led
- OUT dash or ON dash versions available



TECHNICAL DATA

CONTROL SYSTEM:

- Microprocessor Freescale 16bit, 25 MHz
- RAM memory 364KB program data
- RAM memory 160 KB frame buffer
- Flash memory 256 KB for software
- Flash memory 1 MB fonts and icons storage
- EEPROM 3 KB for Parameters Storage
- Real time clock with 240 byte RAM and rechargeable backup battery

CONNECTIVITY:

- Up to 2 CAN-BUS, CAN 2.0B (11 or 29-bit), ISO 11898-2 compliance, speed up to 1 Mbit/s,
- Up to 2 serial lines standard RS232 (baud rate up to 57600 baud)
- SD card slot (from 64Mb to 1Gb)

ELECTRICAL CHARACTERISTICS:

- Power Supply: 9 ÷ 30 Vdc (Operates on vehicle power supply directly)

MECHANICAL CHARACTERISTICS AND RATINGS:

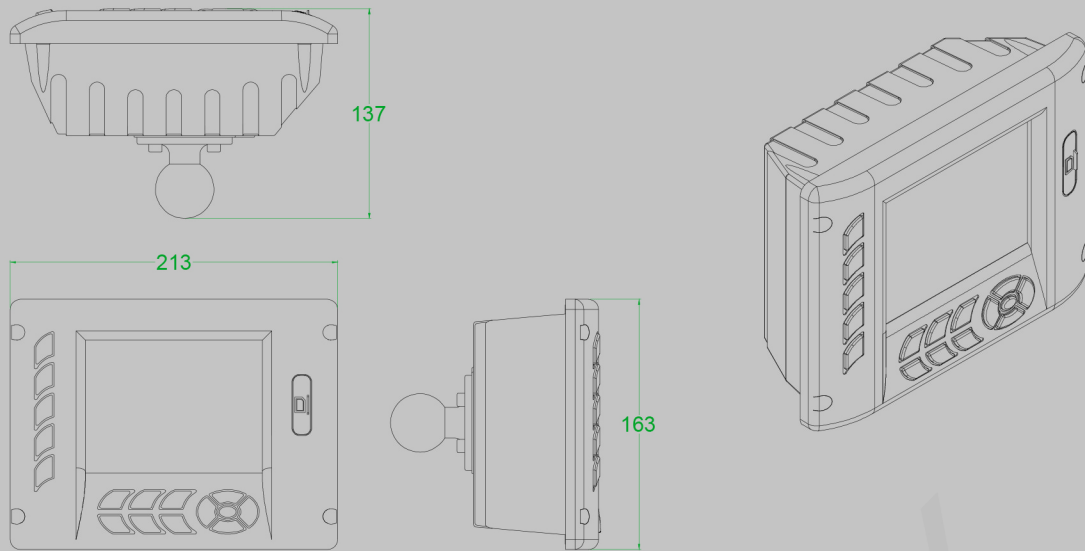
- Housing: Plastic
- Protection: IP65
- Operative Temperature Range: from -20°C to +70°C (from -4°F to +158°F)
- Storage Temperature Range: from -35°C to +80°C (from -31°F to +176°F)

CERTIFICATIONS:

The VIEW2 unit (all models) is conformed to the following directives and standards required by 89/336 CE, according to automotive standards:

- 1) EMC generic standards for emission, heavy industrial environment :
 - Reference standard: EN 61000-6-4
 - Base standard: EN 55011 (Radiated RF emissions)
- 2) Electromagnetic immunity in heavy industrial environment:
 - Reference standard: EN 61000-6-2
 - Base standard: EN 61000-4-2 (Electrostatic Discharge)
 - EN 61000-4-3 (Radiated RF immunity)
 - EN 61000-4-4 (Fast transient "Burst")
 - EN 61000-4-6 (Conducted RF immunity)

MECHANICAL DIMENSIONS:



I/O CONFIGURATIONS:

- View2 Single Remote Display (VIEW-V):

- No internal I/O
- Display Unit with 2CAN and 1 RS232 interface

- View2 Central Unit (VIEW-L):

- **12 Input** software configurable as:
 - **Analog Input 0 ÷ 5.5 V**, 10 bit resolution
 - **Analog Input 0 ÷ 30 V**, 10 bit resolution
 - **Analog Input 0 ÷ 20 mA**, 10 bit resolution
 - **On/Off Input**
- **4 Input/Output** software configurable as:
 - **On/Off Inputs** (High-side)
 - **On/Off Outputs** (High-side current 2A, short circuit current 8A), short circuit protected.
 - **PWM Outputs** (High-side current 2A, short circuit current 8A), short circuit protected.
- **2 Input/Output** software configurable as:
 - **On/Off Inputs** (High-side)
 - **On/Off Outputs** (High-side current 2A, short circuit current 8A), short circuit protected.
- Internal Watchdog Safety Relay (maximum current 10A), used in case of microprocessor fault to cut-off the power supply to all Head outputs, feedback to microcontroller

- View2 Depth (VIEW-D) and Weighing (VIEW-M):

- **12 Input** software configurable as:
 - **Analog Input 0 ÷ 5.5 V**, 10 bit resolution
 - **Analog Input 0 ÷ 30 V**, 10 bit resolution
 - **Analog Input 0 ÷ 20 mA**, 10 bit resolution
 - **On/Off Input 0 ÷ 30 V**
- **4 Input/Output** software configurable as:
 - **On/Off Inputs** (High-side)
 - **On/Off Outputs** (High-side current 2A, short circuit current 8A), short circuit protected.
 - **PWM Outputs** (High-side current 2A, short circuit current 8A), short circuit protected.
- **2 Input/Output** software configurable as:
 - **On/Off Inputs** (High-side)
 - **On/Off Outputs** (High-side current 2A, short circuit current 8A), short circuit protected.
- **2 On/Off Input** reserved to laser catcher (Depth version) or Proximity sensors (Weighing version)
- Internal Watchdog Safety Relay (maximum current 10A), used in case of microprocessor fault to cut-off the power supply to all Head outputs, feedback to microcontroller