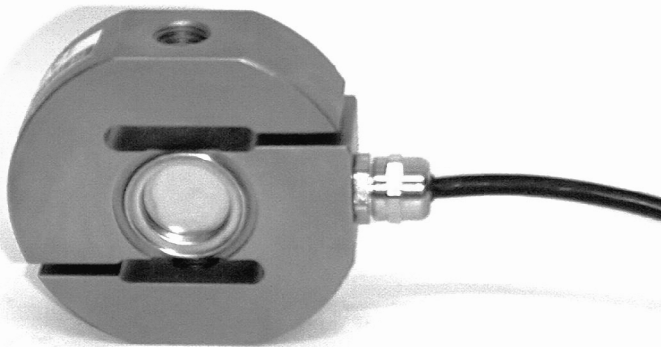




**Active Load**  
28 Folly Green  
Woodcote  
Reading  
Berkshire  
United Kingdom  
RG8 0ND

telephone +44 (0)1491 680123 facsimilie +44 (0)1491680397 email: [actsales@dial.pipex.com](mailto:actsales@dial.pipex.com)

## Series 2060 universal load cell



- **Fully welded**
- **High Accuracy**
- **Stainless steel**
- **Optional fittings**

### Description

A range of "S" beam type load cells for use in general weighing applications.

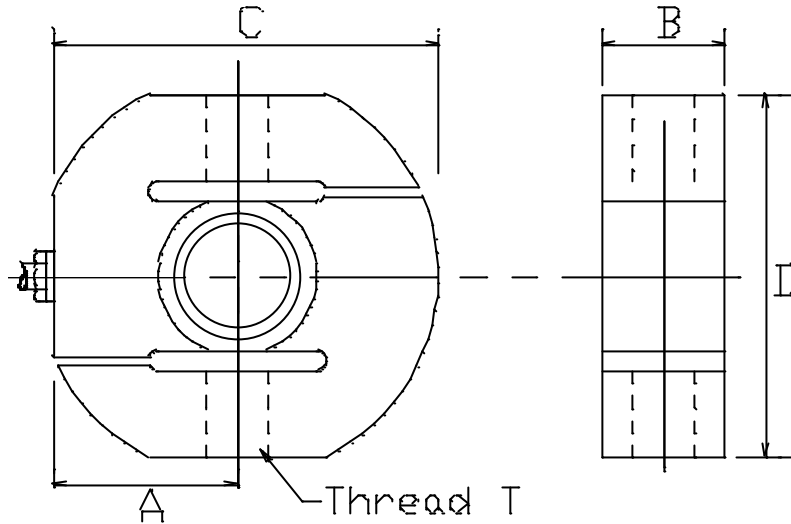
Stainless steel construction with fully welded covers makes the Series 2060 ideally suited for use in arduous applications.

Options available include eye bolts, compression fittings and bi-directional calibration.

A full range of instrumentation and control packages from simple stand alone displays to complete turn key systems are available to support all Active Load sensors. Details and specifications available from our Sales office.

EXCELLENCE IN TRANSDUCER DESIGN

## Dimensions



## Specification Group..... SP2

ELECTRICAL		
Recommended Excitation	10	Vdc
Maximum Excitation	15	Vdc
Output at rated load	2	mV/V
Zero balance	2	% of RL
Input impedance	410	+/-20
Output impedance	350	+/-2
Insulation	10 <sup>9</sup>	
Compensated temp.	-10 to 40	C
Safe temp. range	-20 to 70	C
MECHANICAL		
Safe Overload	150	% of RL
Ultimate Overload	300	% of RL
Deflection	<0.5	mm
Cable type	4-C	screened
Cable length	3	M
Sealing	IP68	

## Accuracy Class..... B3

ACCURACY		
Non linearity & hysteresis	0.03	%
Non repeatability	0.01	%
Zero return (after 30 minutes)	0.04	%
Temp. effect/10 C on zero	0.015	%
Temp. effect/10 C on span	0.02	%

### Note:

Maximum errors (+/-) are expressed as a percentage of rated load (when measured at 10Vdc excitation). The linearity and hysteresis is the maximum deviation from a straight line drawn between the no load and the rated load outputs for both increasing and decreasing loads. Accuracy classes apply when active range (live weight) is within 20 to 90% of rated load.

## Table

RATING kg.	A mm	B mm	C mm	D mm	T mm
250	35	24.5	72.5	70	M12 x 1.75p
500	35	24.5	72.5	70	M12 x 1.75p
1000	45	30	95	95	M20 x 1.5p
2000	45	30	95	95	M20 x 1.5p
5000	57.5	40	120	120	M24 x 2.0p
10,000	65	55	141	145	M30 x 2.0p
20,000	88	70	188	190	M45 x 3.0p

## Wiring

